

WCU600

Touchscreen Control Unit

The WCU600 is the next generation touchscreen keypad for the Opus multi-room entertainment system. Connection between the keypad and DZM zone amplifier is via Opus' proprietary cable BTC1 (or Cat5/Cat6) which provides power and commands from the Master Control Unit (MCU500). Style and functionality operate in perfect synergy with this intuitive keypad which features a striking high-contrast 3.5" full colour LCD touchscreen display. By using an additional Cat5 cable, video playback is possible via RJ45 video inputs on the rear of the keypad.

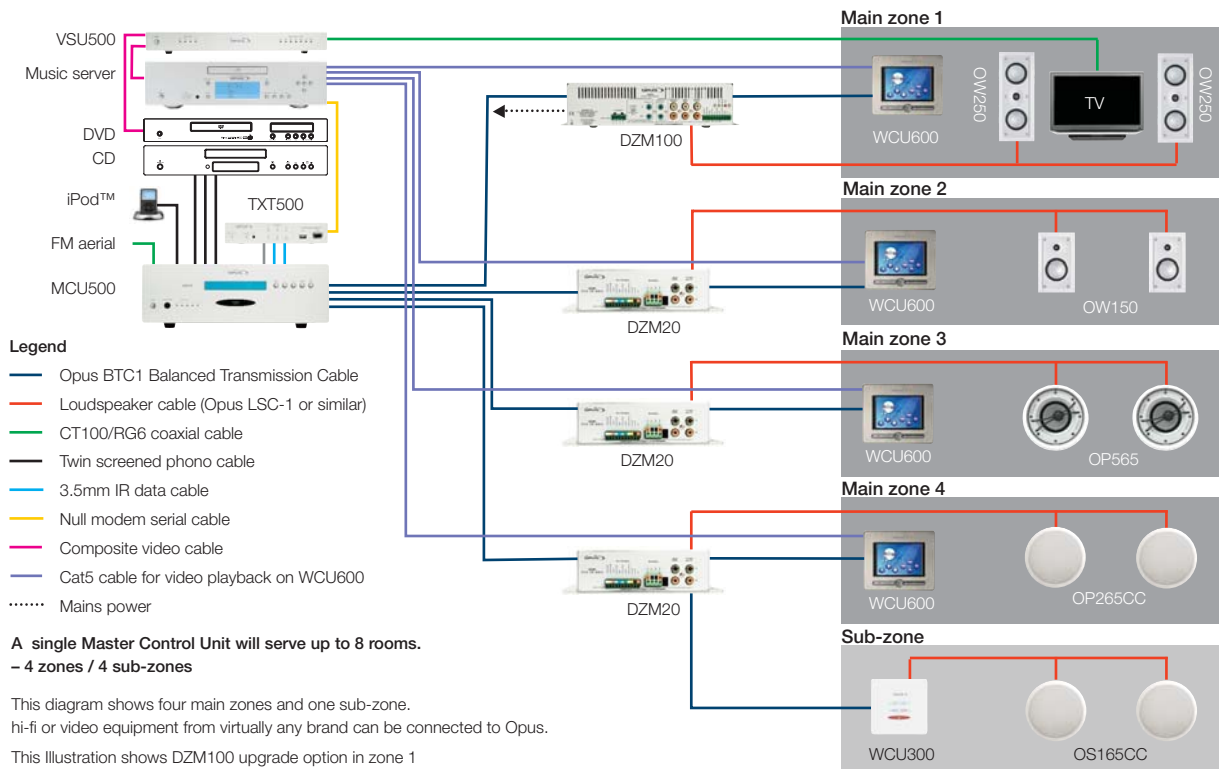
The USB port concealed behind the faceplate means the keypad can be set up and customised to the user's requirements, while user adjustments can be made using the simple menu system which offers fine tuning of bass, treble and balance. The faceplate has a number of colour options which are interchangeable to suit every environment. Using the WCU600's built-in clock/timer, it can be set to 'wake-up' to a favourite radio station. The wide angle IR receiver on the WCU600 allows full control of the system using remote control.

Key features

- High contrast, backlit hi-resolution colour (320 x 240 resolution – 16 million colours) touchscreen display customisable for personalisation of buttons and colours
- Fully backwards compatible with existing Opus MCUs and DZMs
- Built in IR receiver
- IR connector allows addition of an external IR receiver
- RS232 connector for future control with third party products such as heating and lighting solutions
- Extensive range of faceplate finishes available, includes: white, piano black, brushed metal, chrome, gold and more
- Simple menu access to system functions such as bass, treble, balance and party modes
- Video input for playback on LCD display of selected source equipment, including CCTV
- Local video input
- Wide angle infra red receiver allows full remote control of all system functions and control of third party source components connected to Opus MCU500
- Built-in 12hr AM/PM clock with alarm and sleep timer



A typical Opus 500 installation schematic



Specifications

Power 16V DC @ 50mA

Display 3.5" 320 x 240 QVGA colour touchscreen (16 million colours)

IR frequency ranges
34-40Khz & 54-58Khz

Back box requirement
Custom fixing solutions allow faceplate to fit most kinds of walls.
Custom metal back box also available.

CE marked to regulations
EN 60-065 (including amendment A11, 1997); EN 55 013 (1990) inc. amendments A12 (1994) and A14 (1999); EN 61 000-3-2 (1995) inc. amendments A1 (1998), A2 (1998) and A14 (2000); EN 61 000-3-3 (1995) EN 55 020 (1994)

Dimensions (WxHxD)
(W x H x D) 122 x 106 x 39mm

Cut-out dimensions
109 x 97 x 36 mm - Dimensions are for WCU600 unit only, please allow extra depth for cabling

Product detail

