

WCU330

Wall Control Unit

The WCU330 is the wall control unit for the Opus 300 multi-room entertainment system and can be used as both main or sub-zone controllers. Working on the A-BUS standard, installation is extremely simple with just one Cat5 cable connection needed from WCU330 keypad to MCU300 and standard speaker cable from the keypad to loudspeakers. Remarkably, amplification for the speakers is built into the back of the WCU330 and a pre-amp output is even provided for driving external amplifiers or a powered subwoofer.

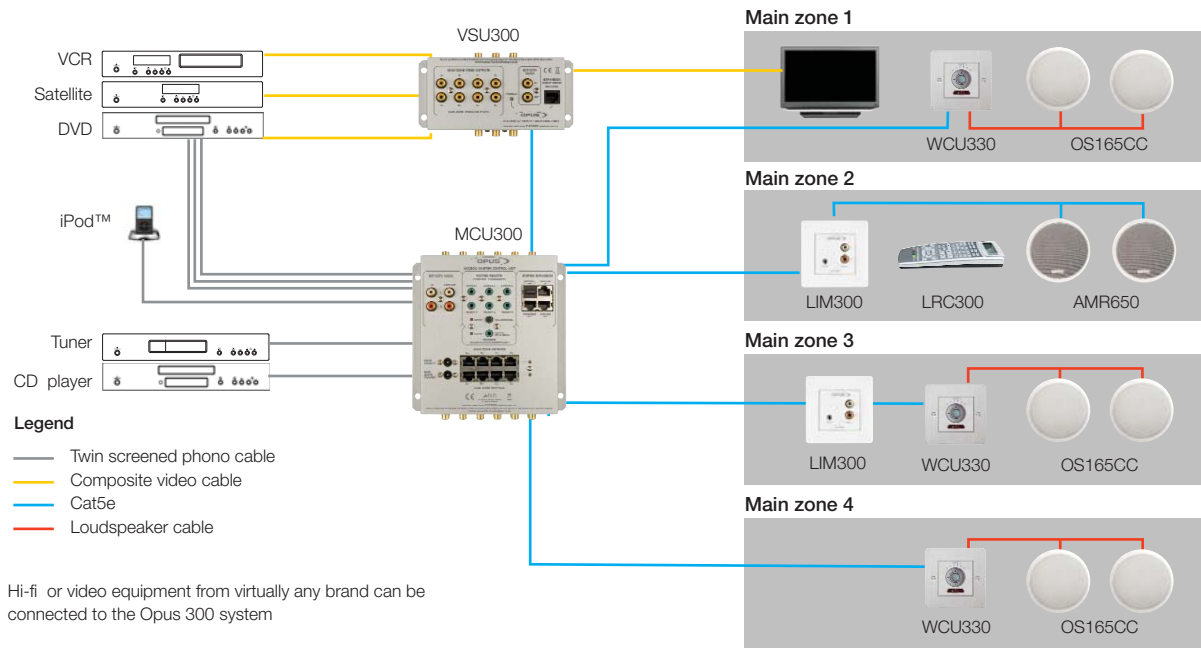
The WCU330 may also be used with other A-BUS ready audio set-ups by flicking the rear-mounted switch to standard (A-BUS), for access to all basic functions.



Key features

- Full control of volume, bass, treble, balance, fader, input change
- Fully A-BUS compatible
- Powered by Cat5 UTP interconnect cable from the master control unit (no external power supply needed)
- Built-in pre-amp output for powering external amplifiers or a powered subwoofer if required
- Direct connection to ceiling-mounted or other speakers
- Uses standard Easy-clip faceplates (full range of styles and finishes available from MK and other suppliers)
- Supplied complete with standard white single gang faceplate
- Fits standard UK 47mm back box

A typical Opus 300 installation - 4 zone



Specifications

Input impedance	45 k ohms
Frequency response	20Hz-20kHz +/- 1dB
THD	<0.2% @ 1W, 20Hz - 20 kHz
S/N ratio	> 80dB 'A' weighted

Volume control range	-80dB, 36 steps
Bass control range	+/- 16 dB, 2 dB steps
Treble control range	+/- 16 dB, 2 dB steps
Balance control range	+/- 40 dB, 9 steps either way

Preamp output	Variable level, follows volume setting
IR pass through	30-40 kHz and 54-58kHz modulation frequencies supported
Speaker impedance	4-8 ohms
Power requirement	24V DC @ 1A max (supplied by hub)